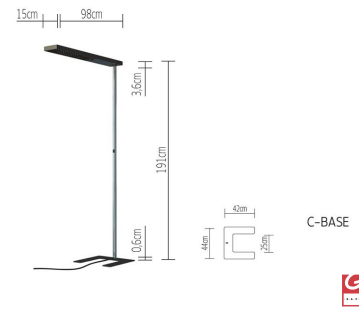
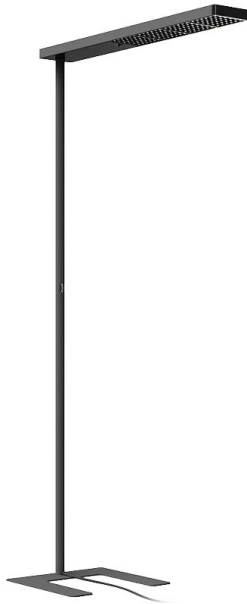


XT-A FLOOR PLUS 90 C-BASE black/black XA40-2



TECHNICAL SPECIFICATIONS

Lamp holder	LED
Mounting method	Floor
Light emission	10% direct / 90% indirect
Light distribution	symmetric
Luminaire luminous flux	14500 lm
Colour temperature	3500 K
Colour rendering index (CRI)	85
Complies with EN12464	Yes
max. luminance >65°	600 cd/qm
UGR	13.5
Rated voltage (range)	220-240 V
Power frequency	50-60 Hz
Power consumption (maximum)	98 W
Surface	powder-coated
Housing material	aluminium
Type of lamp control gear	Driver
Ballast included	Yes
Protection class	I
Number of lampheads	1
Energy efficiency	A - A++
Dimmable	Yes
Type of Dimmer	Integrated pushbutton
Presence sensor	Yes
Sensors can be switched off	Yes
With constant light controller	Yes
Remote control included	Yes
Material of the grid	plastic
Width	150 mm
Height	1910 mm
Length of connection cable	2900 mm
lamphead is rotatable	Yes

LIGHT DIAGRAM

